

**Series 6, built-in fridge, 177.5 x 56 cm, flat hinge
KIR81AFE0**



KSZ10020 Bottle Rack
 KSZB0S00 Heavy-duty hinge support
 KSZGGM00 Butter box

- **LED lighting:** keep your groceries in perfect view.
- **EasyAccess Shelf:** retractable glass shelf for convenient loading and unloading and a perfect view.
- **VarioShelf:** space for bottles and bowls with sectioned glass shelves that can be separated and slid underneath.
- **SuperCooling:** cools new food placed inside faster, thus protecting already cooled food.
- **Warning signal with sound or light when the door is not closed or other error happens.**

Gross weight: 147.000 lbs
 Energy Efficiency Class (Regulation (EU) 2017/1369): E
 Average annual energy consumption in kilowatt hour per year (kWh/a) (EU) 2017/1369: 115 kWh/annum
 Sum of volume of frozen compartments (EU 2017/1369): 0 l
 Sum of volume of chill compartments: 319 l
 Airborne acoustical noise emissions :37 dB(A) re 1 pW
 Airborne acoustical noise emission class:C
 Built-in / Free-standing: Built-in
 Number of compressors: 1
 Number of independent cooling systems: 1
 Width of the appliance: 558 mm
 Height: 1772 mm
 Depth of the product: 545 mm
 Net weight:61.9 kg
 Min. required niche size for installation (HxWxD): 1775.0 x 560 x 550 mm
 Door panel options: Not possible
 Door hinge: Right reversible
 Number of Adjustable Shelves in fridge compartment: 6
 Shelves for Bottles: Yes
 Frost free system:No
 Interior ventilator: Yes
 Reversible Door Hinge: Yes
 Length electrical supply cord: 230.0 cm
 Noise level:37 dB(A) re 1 pW
 Multi-Flow Air Tower: No
 Economy setting: No
 Cold technology: 1 compressor/1 cold circuit
 Fast cooling switch:Yes
 Temperature Controlled Drawer:No
 Humidity Control Drawer:Yes
 Number of Door Bins - Refrigerator:5
 Door bin adjustability - Refrigerator: No
 Tilt-out door bins in fridge:Yes
 Gallon wide door bins: Yes
 Number of Gallon storage: 2
 Motorized Shelf: No
 Material of the shelves: Glas, plastic
 Door opened indicator freezer:No
 Connection rating: 90 W
 Fuse protection: 10 A
 Voltage: 220-240 V
 Frequency: 50 Hz
 Door panel options: Not possible
 Installation typology: Integrated
 Noise level:37 dB(A) re 1 pW
 Energy Star Qualified:No
 Plug type: Gardy plug w/ earthing
 Required cutout/niche size for installation (in):x
 Dimensions of the packed product: 72.44 x 24.01 x 25.19
 Net weight: 136.000 lbs



Series 6, built-in fridge, 177.5 x 56 cm, flat hinge KIR81AFE0

- KIR81AFE0

Performance and consumption

Design

- LED interior light

Comfort and Safety

- 7 segment electronic control
- FreshSense - constant temperature by intelligent sensor technology
- Automatic defrost in fridge section
- Supercool function
- Acoustic open door warning system

Fridge Section

- 7 safety glass shelves (6 height adjustable), of which 1 x VarioShelf divisible and pushed under shelf, 2 x EasyAccess Shelf, extendable
- Bottle grid
- 6 door bins, there of 1x dairy compartment

Freshness System

- 1 VitaFresh plus drawer on telescopic rails with humidity control - Fruits and vegetables retain vitamins and stay fresh up to 2 times longer. on telescopic rails with humidity control - keeps fruit and vegetables up to 2 x longer fresh!
- Vegetable container on telescopic rails

Dimensions

- Dimensions (H x W x D): 177.2 cm x 55.8 cm x 54.5 cm
- Niche Dimension (H x W x D): 177.5 cm x 56.0 cm x 55.0 cm

Technical Information

- Door right hinged, reversible
- Connected load: 90 W
- Nominal voltage: 220 - 240 V

Accessories

- egg tray
- bottle holder

Country Specific Options

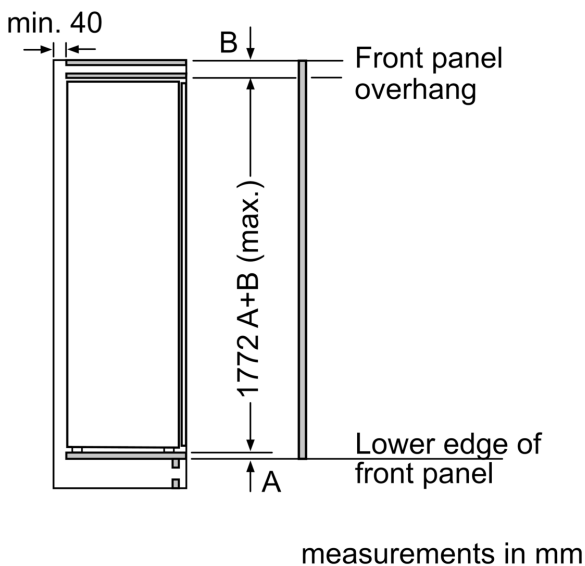
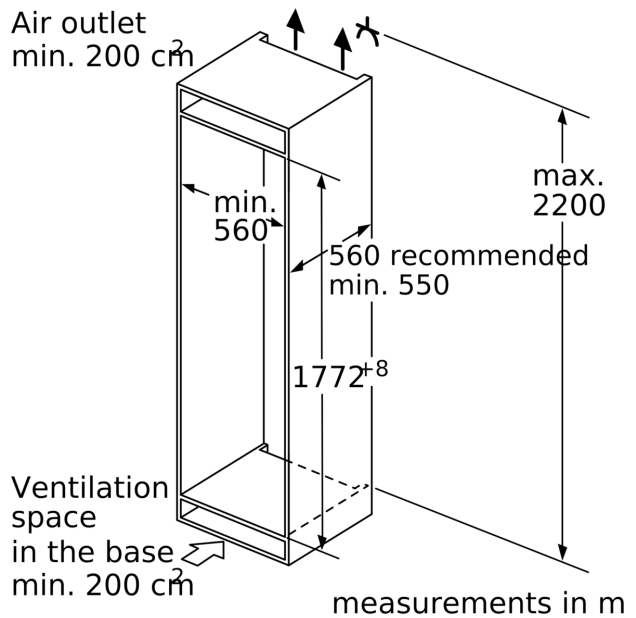
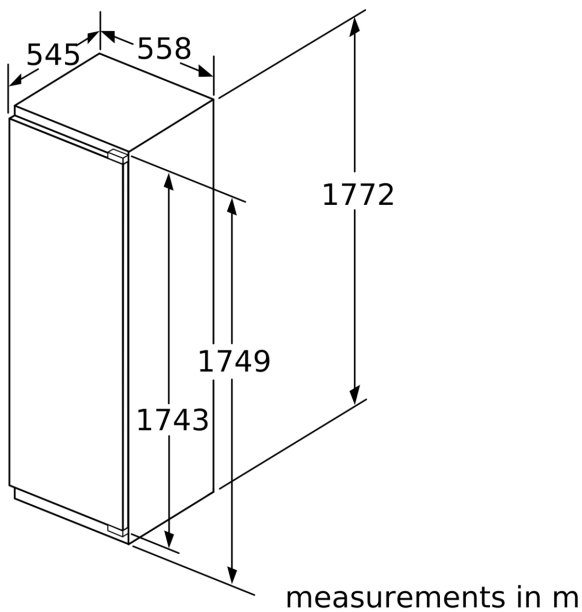
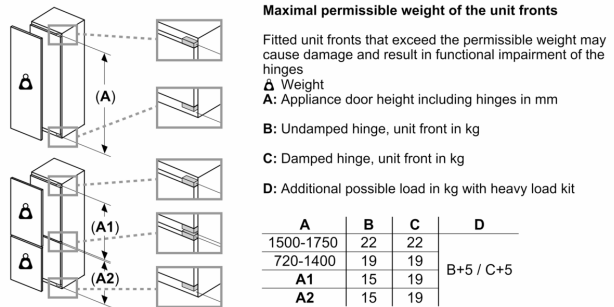
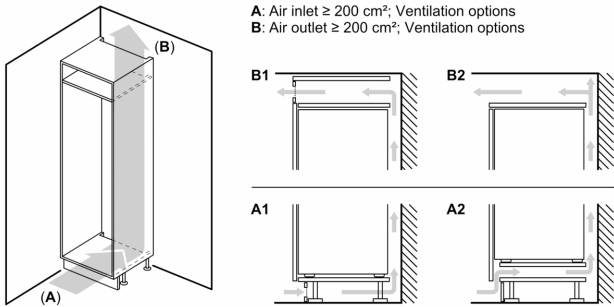
- Based on the results of the standard 24-hour test. Actual consumption depends on usage/position of the appliance.

Environment and Safety

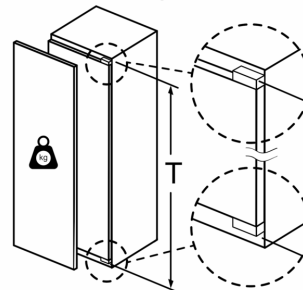
Installation

General Information

**Series 6, built-in fridge, 177.5 x 56 cm, flat hinge
KIR81AFE0**



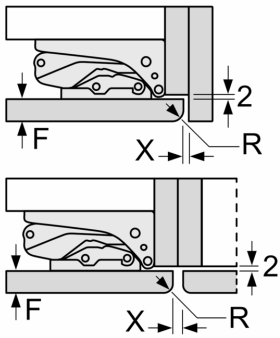
Maximal permissible weight of the unit fronts



Fitted kitchen unit doors that exceed the permissible weight may cause damage and result in functional impairment of the hinges.

T: Includes height of appliance door Hinges in mm:	undamped hinge, Door in kg:	damped hinge, Door in kg:
1500-1750	22	22

measurements in mm
 Recommended gap dimensions for flat hinges



F	R	X
16-19	0-3	2.5
20	0-1	3
	2-3	2.5
21	0-1	3
	2-3	2.5
22	0	4
	1	3.5
	2-3	3

The gap dimensions recommended in the table must be adhered to in order to ensure that appliance doors do not collide with anything when they are opened, and to avoid causing damage to kitchen units.